



# Parts Manual

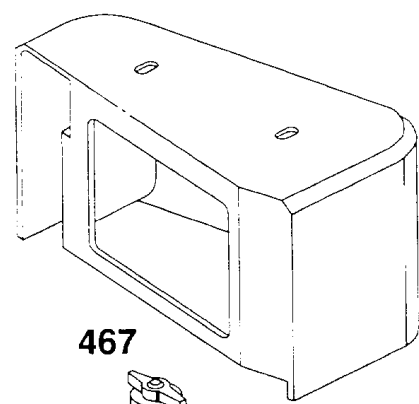
Mfg. No: 260772-0020-01



---

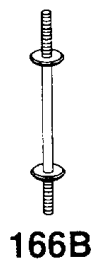
<b>Model Components</b>	<b>Page</b>
Air Cleaner Groups.....	4
Alternator Chart.....	6
Carburetor Assembly.....	8
Control Bracket Assembly.....	12
Cylinder Head Assembly.....	14
Cylinder,Oil Fill,Breathers.....	16
Electric Starter.....	18
Flywheels, Guards.....	20
Fuel Tank,Blower Hsg,Guards.....	22
Gasket Sets.....	24
Mufflers, Deflectors.....	28
Piston Group.....	30
Rewind, Wires, Electrical.....	32
Sump Base Assembly,Oil Pump.....	34

Not For  
Reproduction

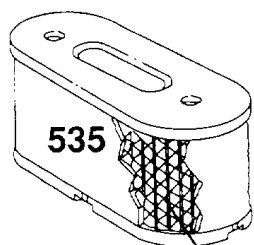


872A

467

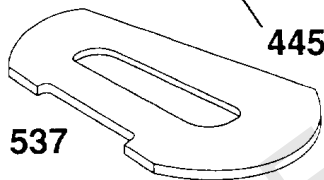


166B

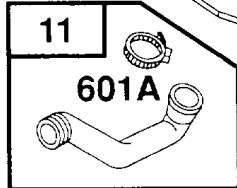
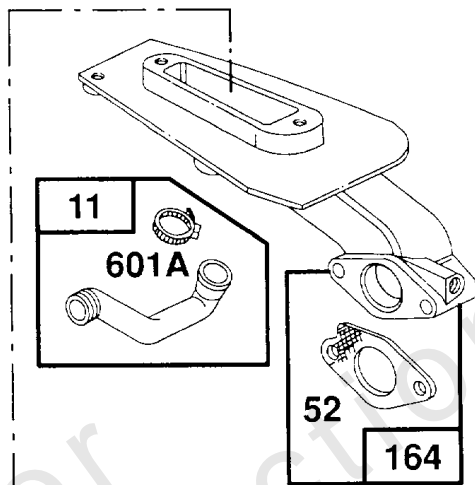


535

445

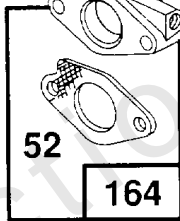


537



11

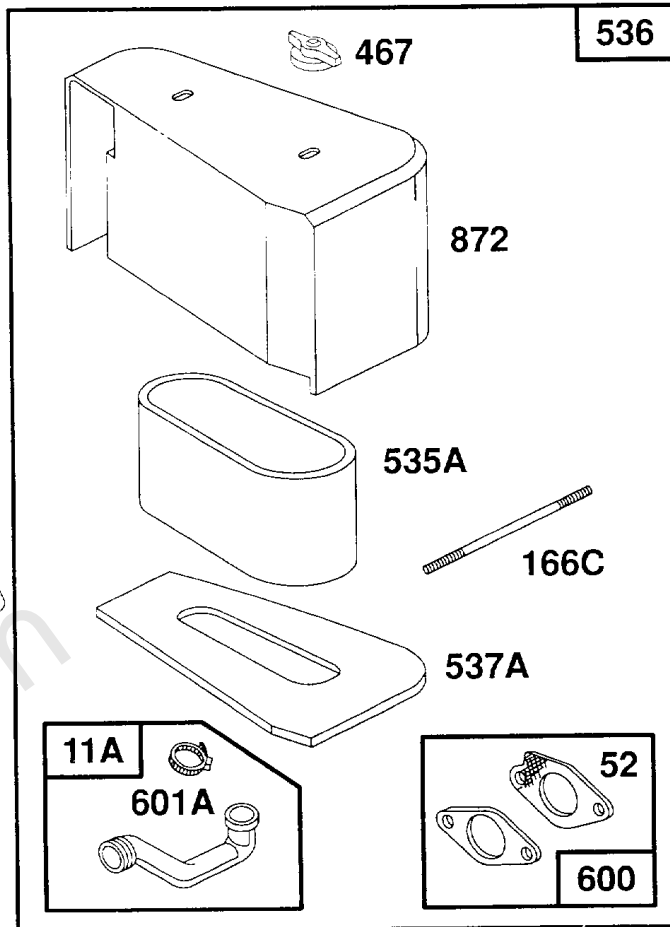
601A



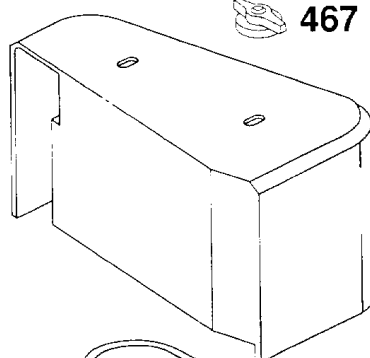
52

164

HEAVY DUTY AIR CLEANER  
CONVERSION KIT

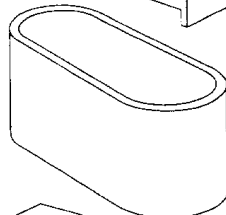


536

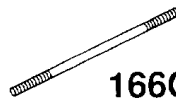


467

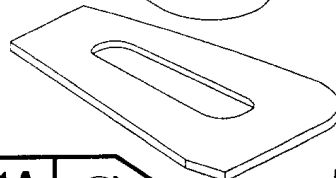
872



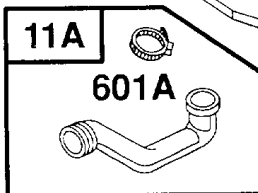
535A



166C

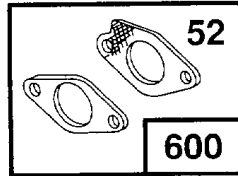


537A



11A

601A



52

600

Not For  
Reproduction

## *Air Cleaner Groups*

REF NO	PART NO	QTY	DESCRIPTION
11	492422		Tube-Breather
52	272029		Gasket-Carburetor -Included in Gasket Set-See Ref. No. 358
164	491876		Manifold-Intake
166B	262471		Stud-Air Cleaner
445	491021		Filter-Air Cleaner
467	491875		Nut-Air Cleaner
535	492947		Filter-Air Cleaner
536	494555		Cleaner-Air (For Conversion To Heavy Duty Air Cleaner)
537	272031		Gasket-Air Cleaner
601A	94487		Clamp-Breather Tube
872	280975		Cover-Air Cleaner

Not For  
Reproduction

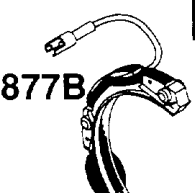
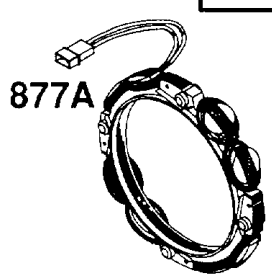
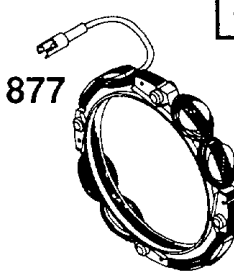
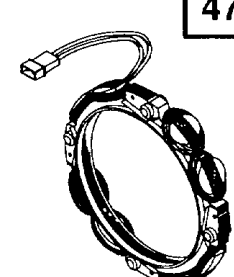
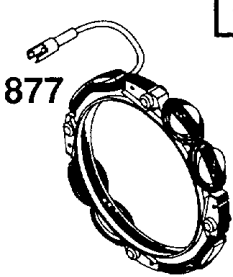
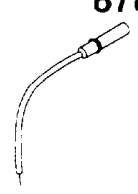
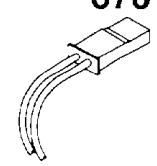
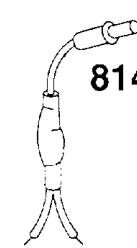
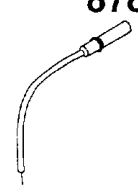
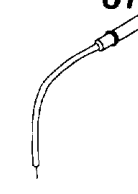
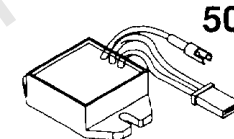
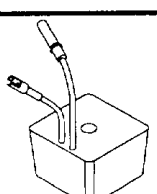
---


**Footnotes:**

Included in Carburetor Kit-Part No. 492282

# Alternator Chart

Mfg. No: 260772-0020-01

DC ONLY	DUAL CIRCUIT	TRI-CIRCUIT	16 AMP	9 AMP
 <p>877B</p>	 <p>877A</p>	 <p>877</p>	 <p>877</p>	 <p>877</p>
 <p>878A</p>	 <p>878</p>	 <p>814</p>	 <p>878A</p>	 <p>878A</p>
			 <p>501A</p>	 <p>501</p>

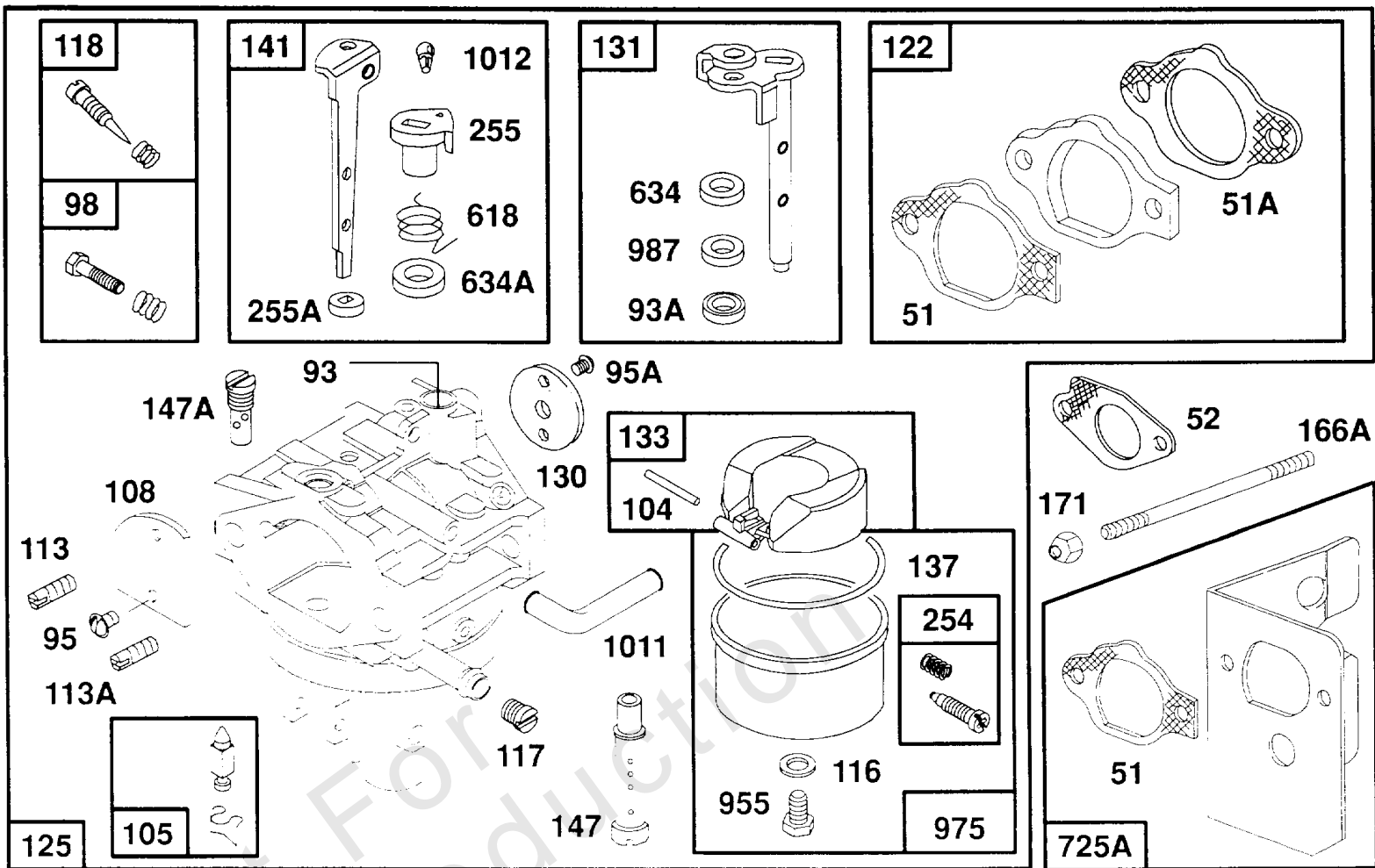
NOTE: ALL STATORS USE NO. 482 MOUNTING SCREW. 

Not For  
Reproduction

## Alternator Chart

REF NO	PART NO	QTY	DESCRIPTION
474A	393474		Stator, Alternator (Dual-Circuit)
474B	393295		Stator, Alternator -(10, 13, or 16 Amp-Depending on Size of Flywheel Magnets) (Regulated)
474	392595		Stator, Alternator (Tri Circuit, 9Amp Regulated)
482	810071		Screw-Stator Mtg.
501A	394890		Regulator -(10, 13, or 16 Amp, Depending on Size of Flywheel Magnets)
501	491546		Regulator Assy (9 Amp.)
814	392606		Harness Assy (Tri-Circuit)
877A	393456		Alternator Connecto (Dual Circuit)
877B	393814		Alternator Connecto (Dc Only)
877	393537		Alternator Connecto (Tri Circuit & 9amp)
878A	393422		Socket/Wire Assy (Dc Only)
878	393362		Harness, Alternator (Dual Circuit)
887	391529		Stator, Alternator (Dc Only)

Not For  
Reproduction



Not For  
Reproduction

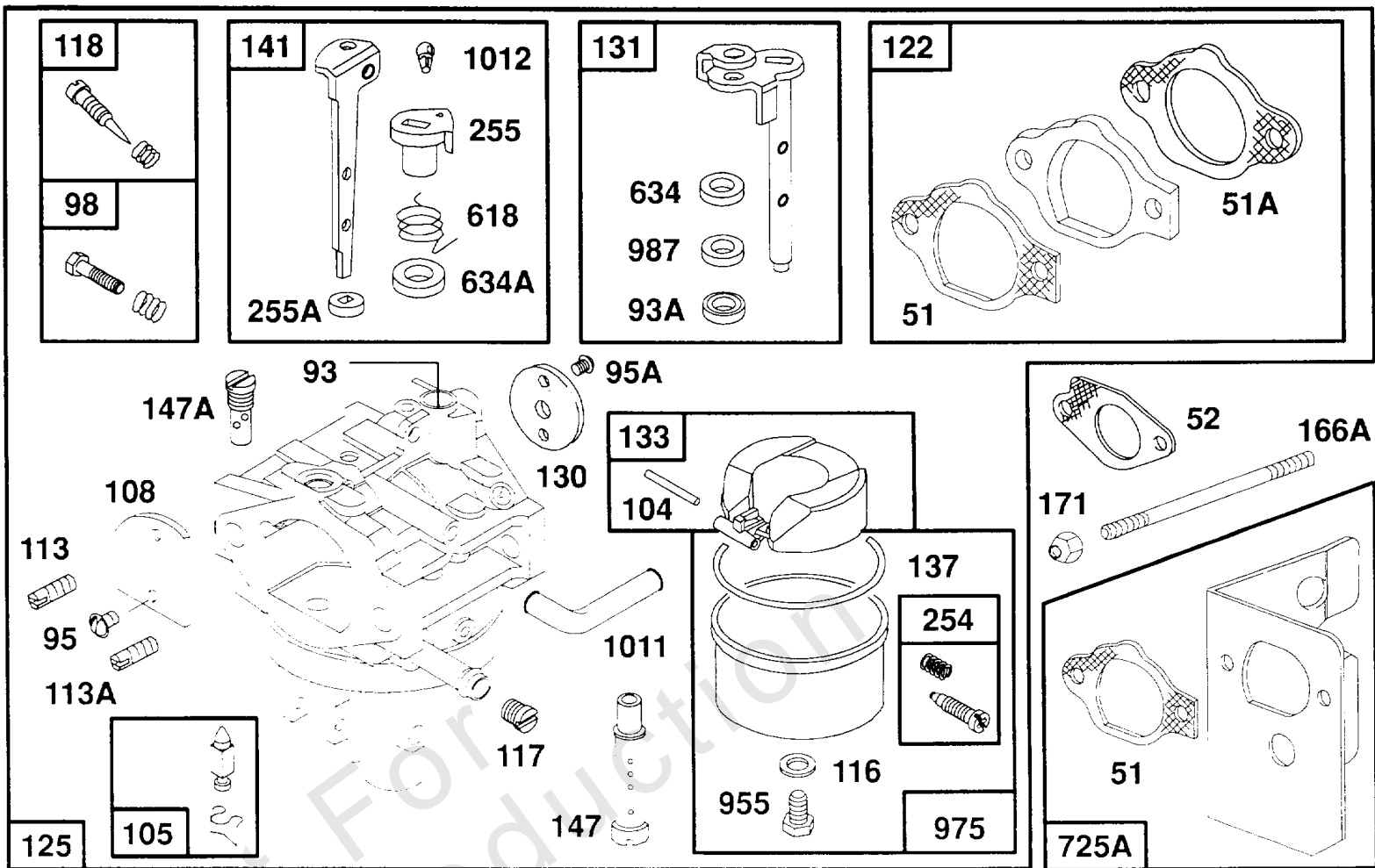


## Carburetor Assembly

REF NO	PART NO	QTY	DESCRIPTION
51A	272028		Gasket-Carburetor -Included in Valve Overhaul Kit-Part No. 495769. Included in Gasket Set-See Ref. No. 358
51	272121		Gasket-Intake -Included in Valve Overhaul Kit-Part No. 495769. Included in Gasket Set-See Ref. No. 358
52	272029		Gasket-Carburetor -Included in Gasket Set-See Ref. No. 358
93A	280931		Bushing-Throttle Shaft (Lower) -Included in Carburetor Kit-Part No. 492282
93	280926		Bushing-Throttle Shaft (Upper) -Included in Carburetor Kit-Part No. 492282
95A	94466		Screw-Throttle Valve
95	94457		Screw-Throttle & Choke Valve Mtg.
98	492276		Screw-Idle Speed
104	231652		Pin-Float Hinge -Included in Carburetor Kit-Part No. 492282
105	492188		Valve-Needle -Included in Carburetor Kit-Part No. 492282
108	224223		Valve-Choke
113A	231696		Nozzle-Carburetor -Included in Carburetor Kit-Part No. 492282
113	231697		Nozzle-Carburetor -Included in Carburetor Kit-Part No. 492282
116			No Nomenclature -Included in Carburetor Kit-Part No. 492282. Included in Carburetor Gasket Set-Part No. 492281
117			No Nomenclature -Included in Carburetor Kit-Part No. 492282
117	231669		Jet-Main (High Altitude)
118	492277		Valve-Idle Adjust -Included in Carburetor Kit-Part No. 492282
122	491784		Adapter-Carb. -Included in Valve Overhaul Kit-Part No. 495769
125	492915		Carburetor
130	224224		Valve-Throttle
131	492278		Shaft-Throttle
133	492283		Float-Carburetor
137			No Nomenclature -Included in Carburetor Kit-Part No. 492282. Included in Carburetor Gasket Set-Part No. 492281
141	492279		Shaft-Choke
147A	231659		Nozzle -Included in Carburetor Kit-Part No. 492282
147	231657		Nozzle -Used Before Code Date 89051800
147	231719		Nozzle -Used After Code Date 89051700
166A	94333		Stud-Carburetor (For Specials See Ref. 166C).
171	810056		Nut-Hex.
254	492274		Drain-Carburetor Bowl
255A	280910		Retainer-Choke Shaft (Lower) -Included in Carburetor Kit-Part No. 492282
255	280916		Retainer-Choke Shaft (Upper) -Included in Carburetor Kit-Part No. 492282

### Footnotes:

Included in Carburetor Kit-Part No. 492282



Not For  
Reproduction

## Carburetor Assembly

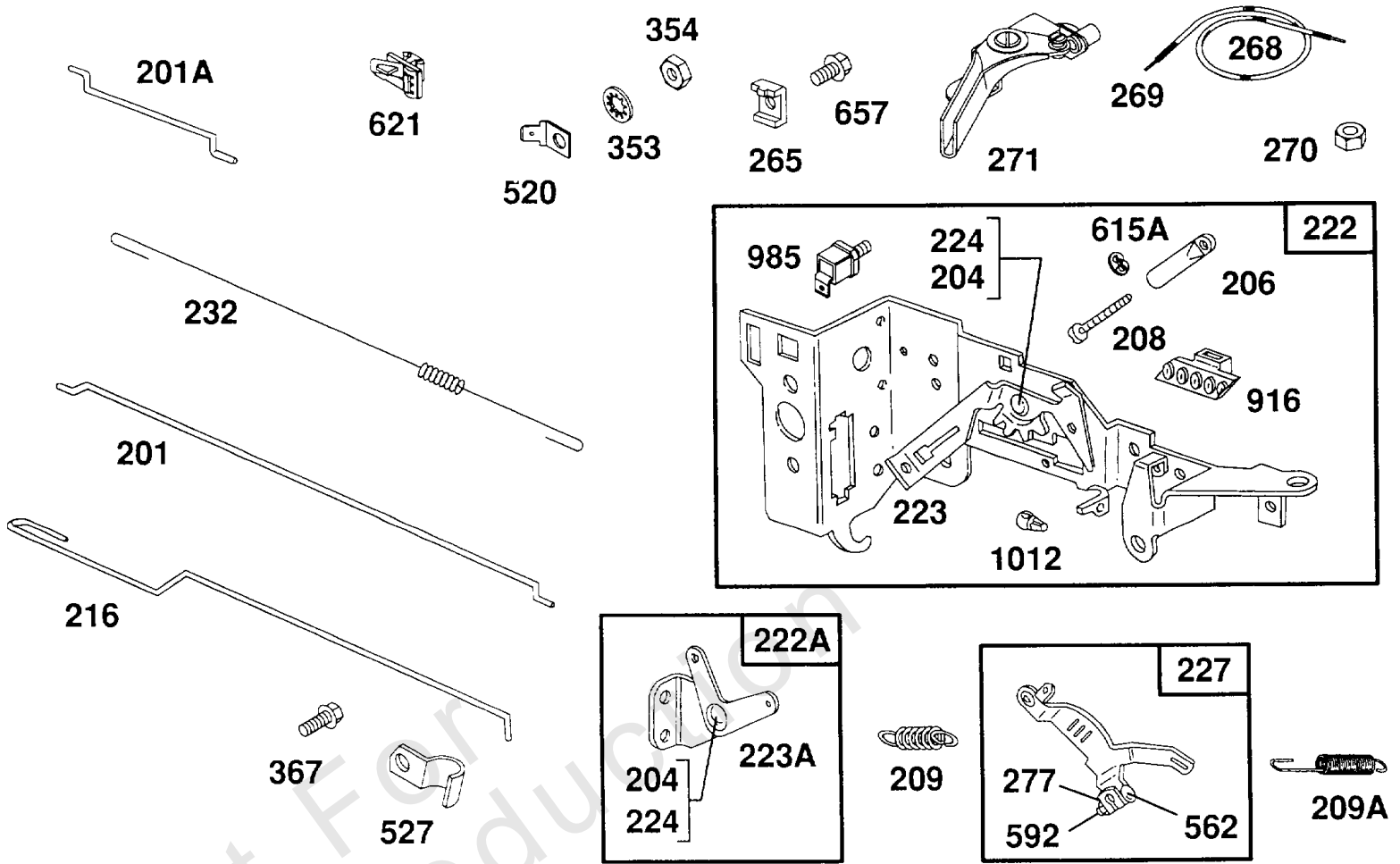
REF NO	PART NO	QTY	DESCRIPTION
618	262563		Spring-Choke Shaft
634A			No Nomenclature -Included in Carburetor Kit-Part No. 492282. Included in Carburetor Gasket Set-Part No. 492281
634			No Nomenclature -Included in Carburetor Kit-Part No. 492282. Included in Carburetor Gasket Set-Part No. 492281
725A	491983		Shield-Heat
955	94460		Screw-Bowl Mtg.
975	492272		Bowl-Float
987	492172		Seal-Throttle Shaft -Included in Carburetor Kit-Part No. 492282. Included in Carburetor Gasket Set-Part No. 492281
1011	281001		Tube-Bowl Vent
1012	280869		Retainer-Link

Not For  
Reproduction

---

**Footnotes:**

Included in Carburetor Kit-Part No. 492282



Not For  
Reproduction

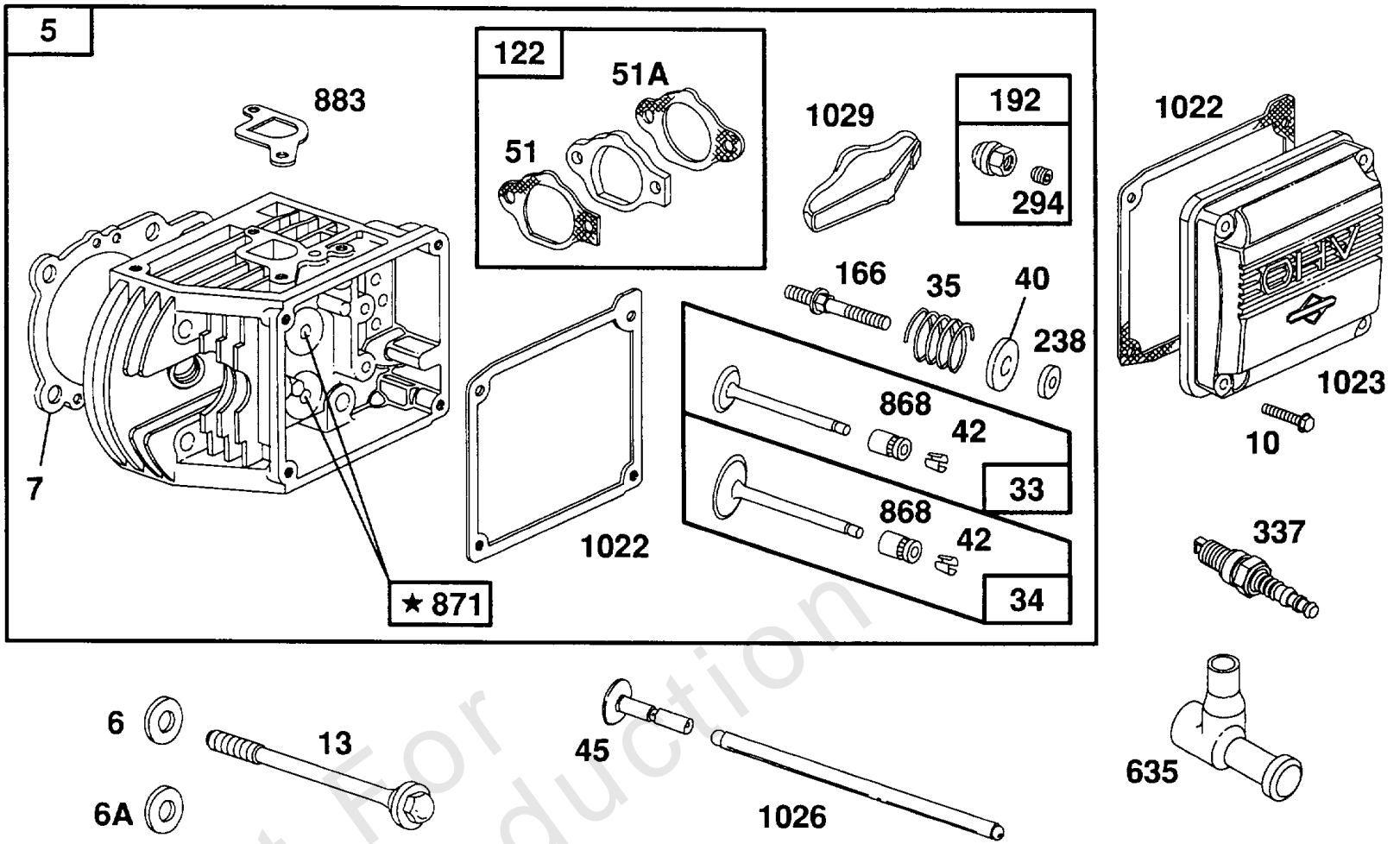
## Control Bracket Assembly

REF NO	PART NO	QTY	DESCRIPTION
201A	262536		Link
201	262495		Link
204	222962		Bushing-Control Lev
206	280847		Adjuster-Control Rod
208	94393		Screw-Control Rod
209A	262504		Spring-Idler
209	262604		Spring-Governor
216	262494		Link-Choke
222A	492002		Bracket-Control -Use(s): 262536 Link-Governor
222	491757		Bracket-Control
223A	492001		Lever-Gov. Control
223	223940		Lever-Gov. Control
224	93491		Rivet-Truss Head S
227	491057		Lever Assy.-Gov.
232	262500		Spring-Link
265	221535		Clamp, Casing (Stamped Steel)
268	65616		Casing, Wire (72", Cut To Required Length) -If Longer Casing is Required, Specify Length In Inches; If Shorter Casing is Needed Order and Cut To Required Length.
269	26633		Wire, Control (78" Cut To Required Length) -If Longer Wire is Required, Specify Length in Inches; If Shorter Wire is Needed Order and Cut to Required Length.
270	63426		Nut, Hex
271	290568		Lever-Control
277	810017		Washer-Gov. Lever
353	92791		Lockwasher, Interna
354	90576		Nut, Hex (8-32)
367	810036		Screw-Hex. Head
520	93722		Terminal, Spade
527	221428		Breather Tube Clamp
562	810072		Bolt-Gov. Lever
592	810011		Nut-Hex.
615A	94392		Ring-Retaining
621	396847		Switch, Stop Assy
657	94443		Screw-Casing Clamp
916	280321		Rack, Gear Control (Remote & Manual Choke)
985	398525		Terminal-Insulated
1012	280869		Retainer-Link

---

**Footnotes:**

Included in Carburetor Kit-Part No. 492282



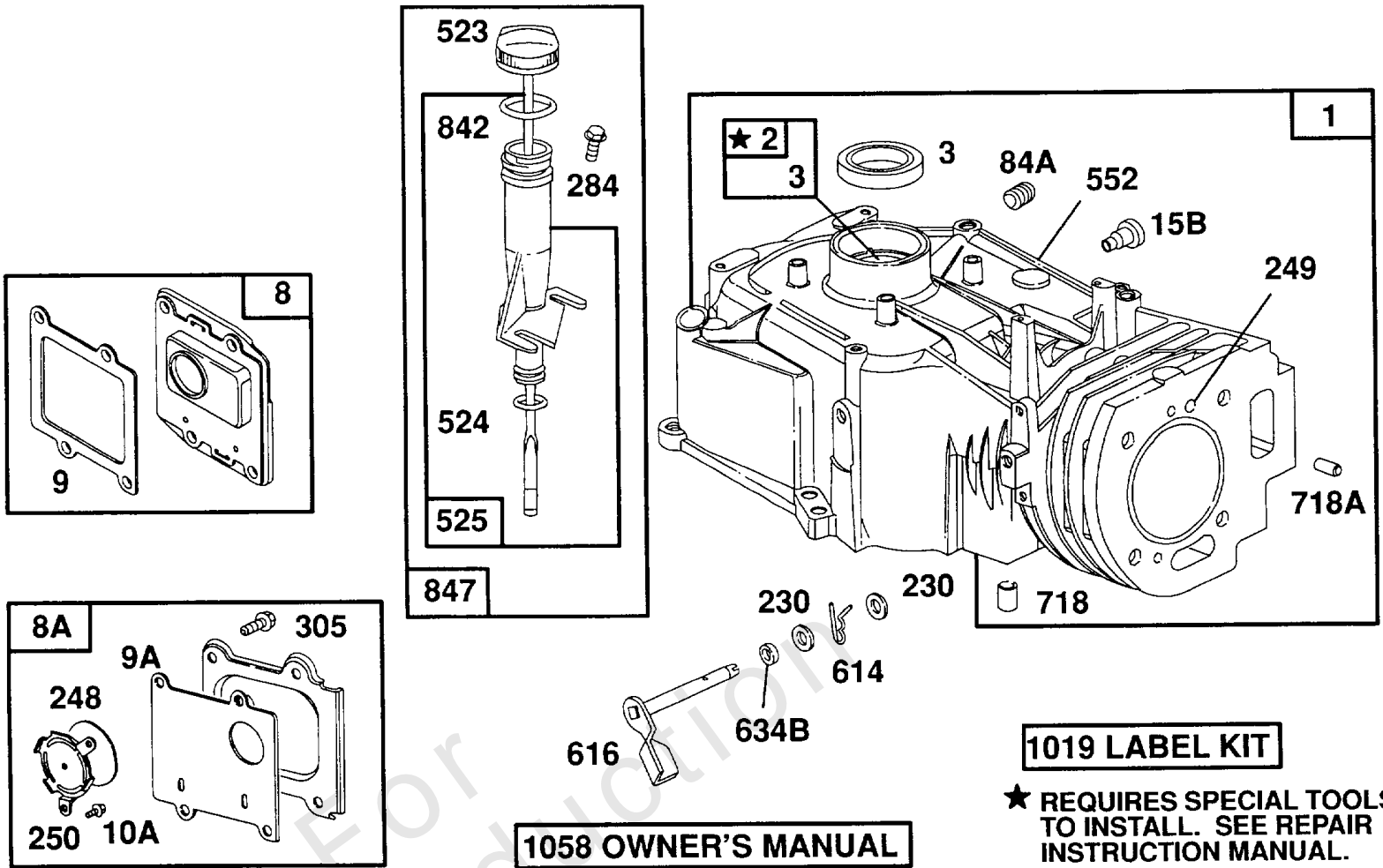
Not For  
Reproduction

## Cylinder Head Assembly

REF NO	PART NO	QTY	DESCRIPTION
5	492154		Head-Cylinder
6A	492063		Washer-Cylinder Head -Included in Gasket Set-See Ref. No. 358
6	94340		Washer-Cylinder Head
7	272126		Gasket-Cylinder Head -Included in Valve Overhaul Kit-Part No. 495769. Included in Gasket Set-See Ref. No. 358
10	810050		Screw-Valve Cover
13	94335		Screw-Cylinder Head
33	492117		Valve-Exhaust
34	492116		Valve-Intake
35	262501		Spring-Valve
40	262381		Retainer-Valve
42	492231		Retainer-Valve Rotocoil
45	262875		Tappet-Valve
51A	272028		Gasket-Carburetor -Included in Valve Overhaul Kit-Part No. 495769. Included in Gasket Set-See Ref. No. 358
51	272121		Gasket-Intake -Included in Valve Overhaul Kit-Part No. 495769. Included in Gasket Set-See Ref. No. 358
122	491784		Adapter-Carb. -Included in Valve Overhaul Kit-Part No. 495769
166	94342		Stud-Rocker Arm
192	491511		Nut-Rocker Arm
238	262499		Cap-Valve
294	810045		Screw-Socket
337	491055		Spark Plug,resistor (Req. 3)
635	280897		Elbow-Spark Plug
868	491020		Seal-Valve Stem -Included in Valve Overhaul Kit-Part No. 495769. Included in Gasket Set-See Ref. No. 358
871	262378		Bushing-Valve Guide (Exhaust Or Intake)
883	272123		Gasket-Exhaust -Included in Valve Overhaul Kit-Part No. 495769. Included in Gasket Set-See Ref. No. 358
1022	272010		Gasket-Rocker Cover -Included in Valve Overhaul Kit-Part No. 495769. Included in Gasket Set-See Ref. No. 358
1023	213303		Cover-Rocker
1026	491695		Pushrod-Exhaust
1026	492229		Pushrod-Intake
1029	223928		Arm-Rocker

### Footnotes:

Included in Carburetor Kit-Part No. 492282  
Included in Gasket Set-See Ref. No. 358



Not For  
Reproduction



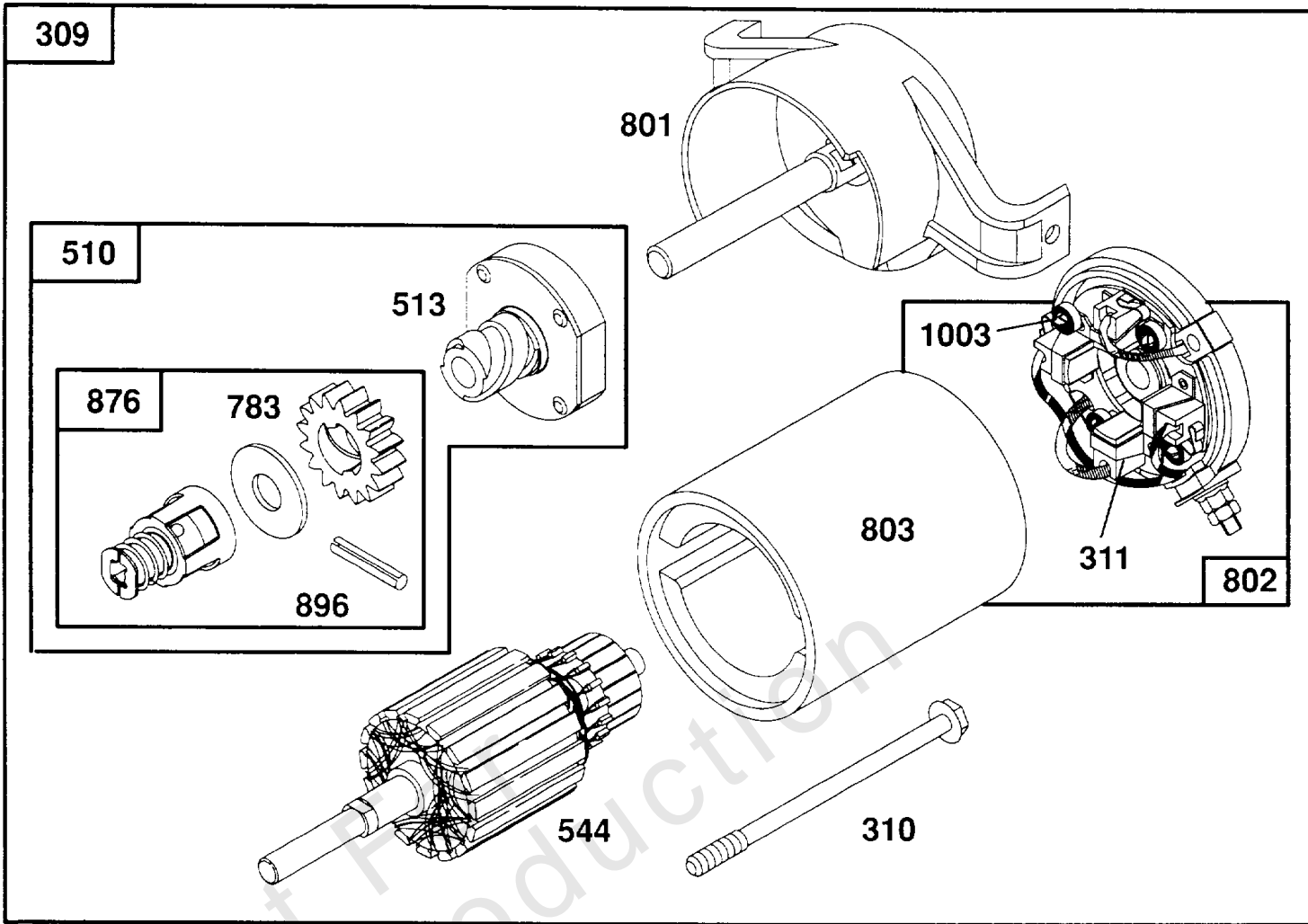
## Cylinder, Oil Fill, Breathers

REF NO	PART NO	QTY	DESCRIPTION
1	492034		Cylinder Assy. -Used Before Code Date 91120900
1	495259		Cylinder Assembly -Used After Code Date 91120800
2	492036		Bushing
3	491019		Seal-Oil -Included in Gasket Set-See Ref. No. 358
8A	492180		Breather Assy. -Used Before Code Date 91120900
8	495247		Breather Assy. -Used After Code Date 91120800
9A	272120		Gasket-Valve Cover -Used Before Code Date 91120900
9	272553		Gasket-Breather -Used After Code Date 91120800
10A	810057		Screw-Breather Retainer -Used Before Code Date 91120900
15B	260022		Plug-Oil Drain
84A	94379		Oil Drain Plug (1/8-27 Nptf)
230	94423		Washer-Gov. Crank
248	66504		Disc-Valve -Used Before Code Date 91120900
249	491388		Valve-Pressure Relief
250	223966		Retainer-Breather -Used Before Code Date 91120900
284	94505		Screw-Hex. Hd.
305	810037		Screw-Tank Bracket
523	491794		Cap-Oil Fill
524	280860		Seal-Oil -Included in Gasket Set-See Ref. No. 358
525	492398		Tube-Oil Fill
552	231592		Bushing-Gov. Crank
614	94424		Pin-Cotter
616	491874		Crank-Governor
634B	491880		Seal-Governor Shaft -Included in Gasket Set-See Ref. No. 358
718A	230192		Pin-Locating
718	231589		Pin-Cylinder
842	270920		Seal, Oil Fill Tube -Included in Gasket Set-See Ref. No. 358
847	493232		Tube Assy.-Oil Fill
1019	495134		Label Kit
1058	272155		Owner's Manual

---

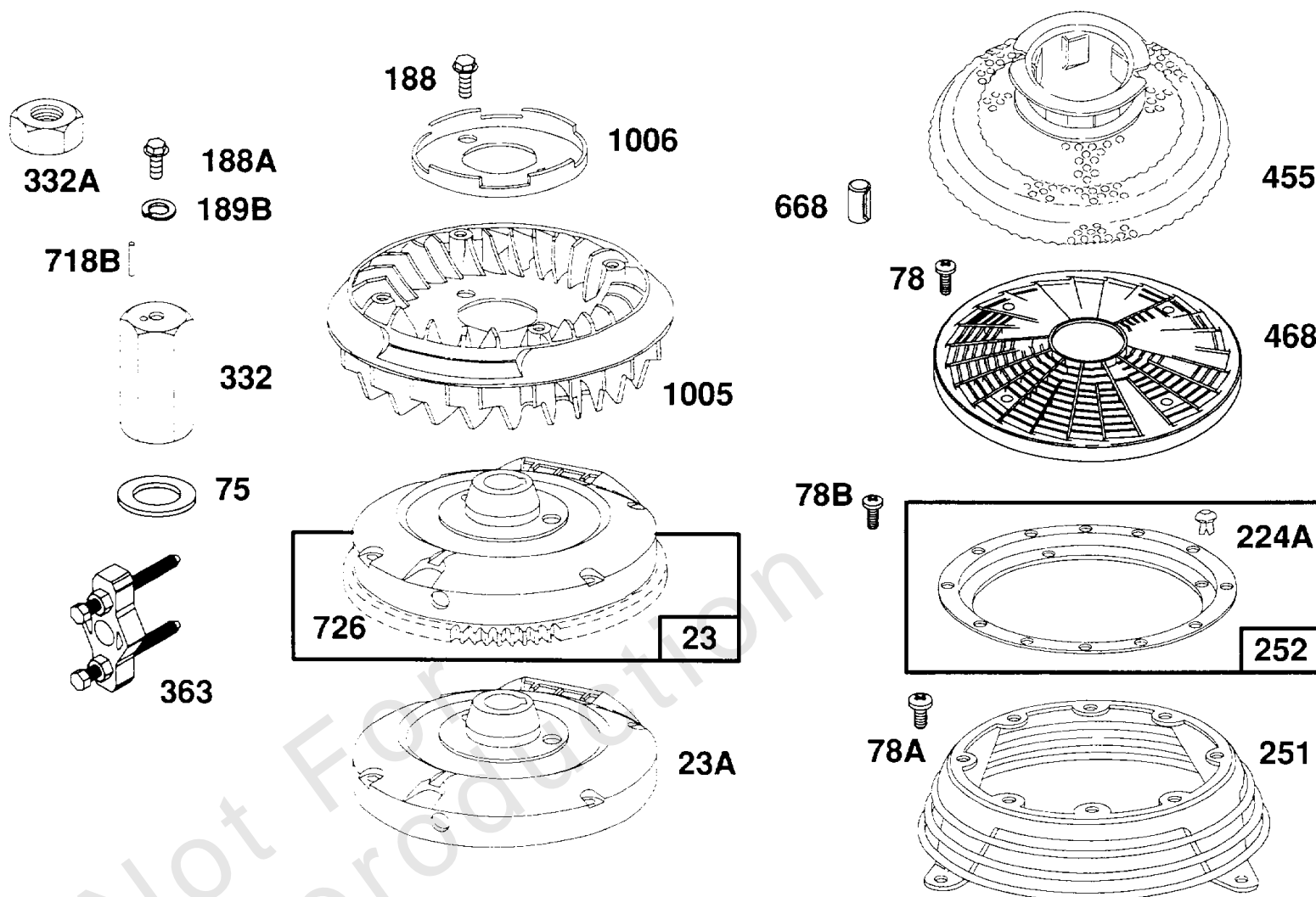
**Footnotes:**

Included in Gasket Set-See Ref. No. 358



## Electric Starter

REF NO	PART NO	QTY	DESCRIPTION
309	490753		Motor-Starting (12V) (4-9/16" Housing Length)
309	495104		Motor-Starting (12V) (4-3/8" Housing Length)
310	94004		Screw, Hex Flange H (For 4-3/8" Housing Length)
310	94169		Screw, Hex Flange H (For 4-1/2" Housing Length)
311	490311		Brush Set (For 4-9/16" Housing Length) -Brushes Are Not Sold Separately on Motors With Housing Length 4-3/8" Long.
510	491836		Drive-Starter
513	398879		Clutch-Drive
544	492359		Armature Assy.
728	810040		Screw-Starter Mount
729C	94668		Clamp-Wire
783	280875		Gear
801	490754		End Cap Assy.
802	490310		Head, Brush End Kit -(For 4-1/2" or 4-9/16" Housing Length)
802	494988		Cap-End (For 4-3/8" Housing Length)
803	398892		Housing-Starter (For 4-9/16" Housing Length)
803	494205		Housing-Starter -(For 4-3/8" or 4-9/16" Housing Length)
876	492360		Retainer And Pin Assy.
896	94192		Pin-Drive Retainer
1003	490316		Spring-Brush -(For 4-1/2" or 4-9/16" Housing Length)



Not For  
Reproduction

## *Flywheels, Guards*

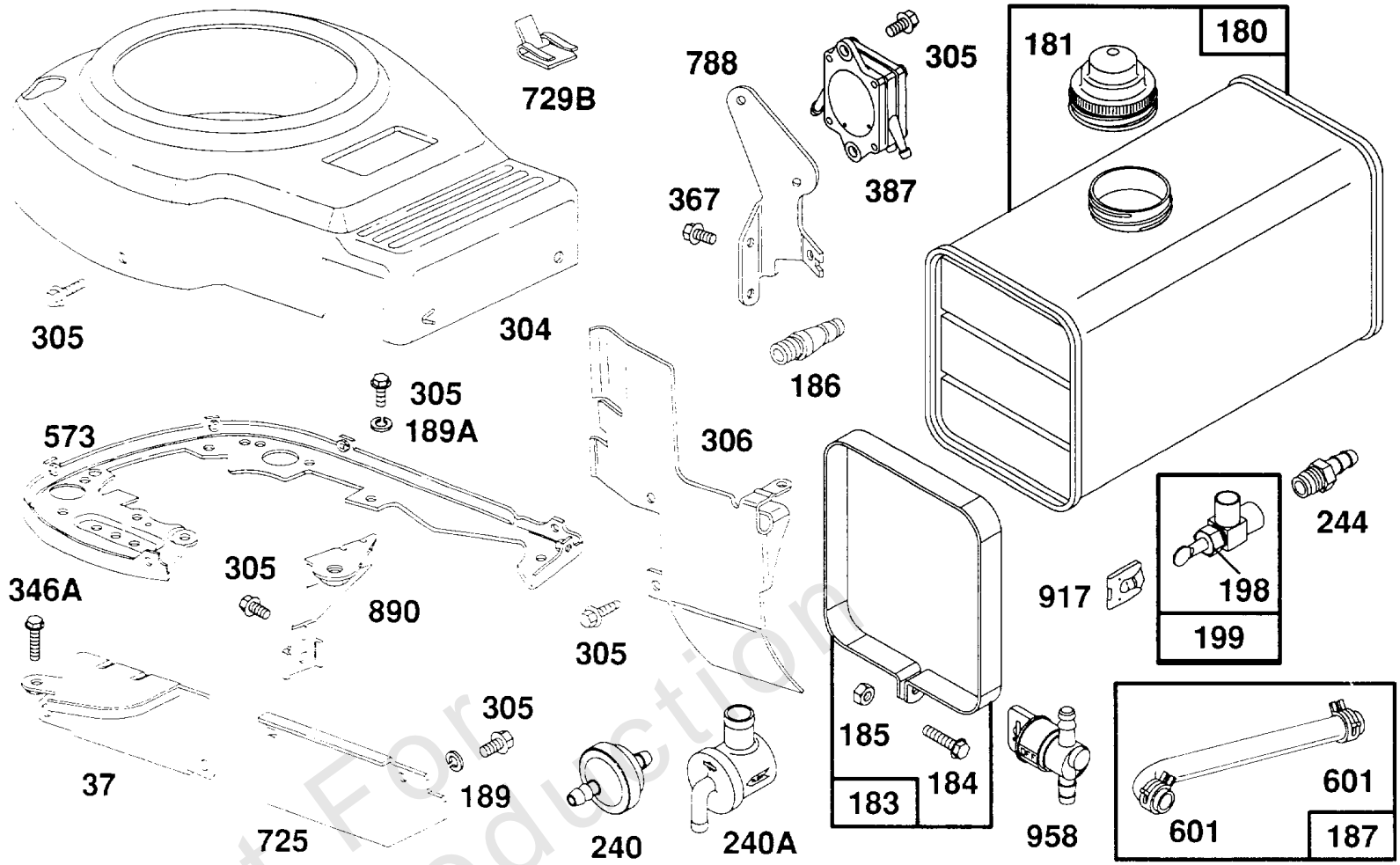
REF NO	PART NO	QTY	DESCRIPTION
23A	495166		Flywheel
23	495165		Flywheel
75	224079		Washer-Spring
78A	94485		Screw-Rewind Adapter
78B	94435		Screw-Support Ring
78	94417		Screw, Sem Pan Head
188A	94477		Screw-Sem
188	93659		Screw-Tank
189B	810092		Lockwasher-Hub
224A	280989		Rivet-Support Ring
251	491938		Adapter-Rewind Starter
252	492976		Adapter-Rotating Screen
332A	810055		Nut-Flywheel
332	231617		Nut-Flywheel
363	19203		PULLER, Flywheel
455	492303		Cup-Flywheel
468	491793		Screen-Rotating
668	94401		Spacer-Pulley
718B	280934		Pin-Rewind
726	492230		Gear-Ring (Includes Mtg. Parts)
1005	491792		Fan-Flywheel
1006	223726		Retainer-Fan

Not For  
Reproduction

---

**Footnotes:**

Included in Carburetor Kit-Part No. 492282



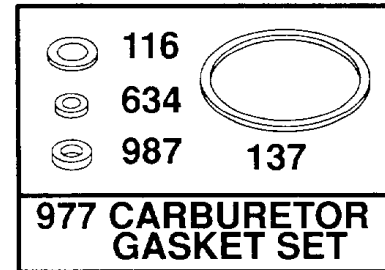
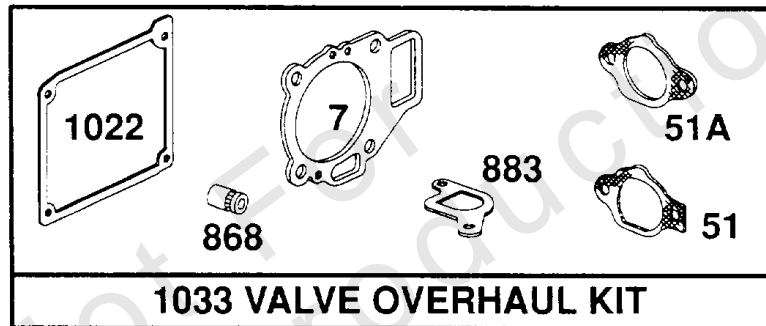
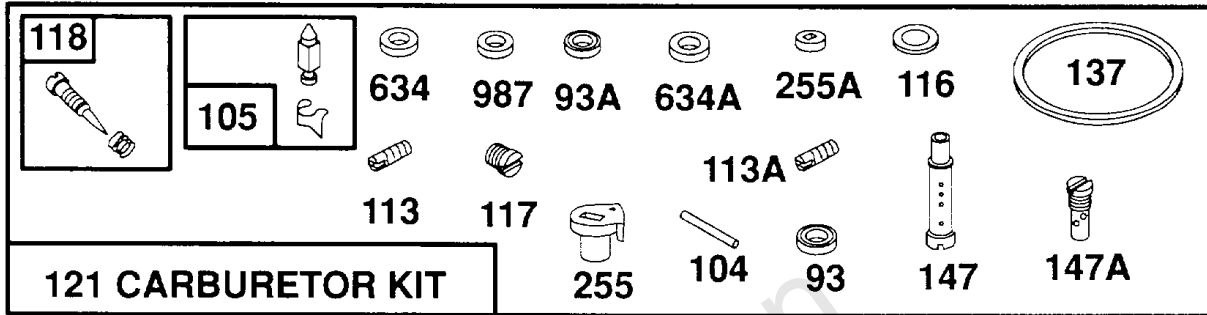
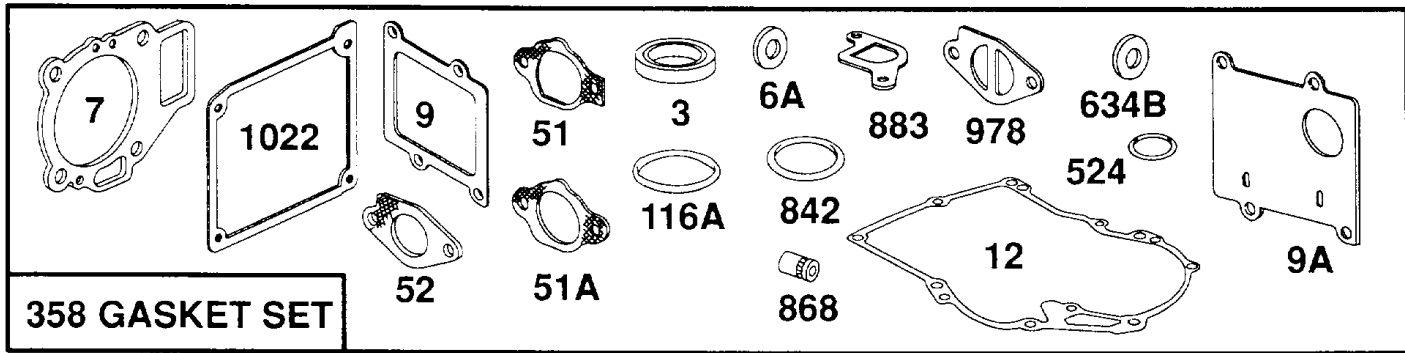
Not For Reproduction

## Fuel Tank,Blower Hsg,Guards

REF NO	PART NO	QTY	DESCRIPTION
37	492000		Guard-Flywheel
180	292415		Tank-Fuel (8 Quart)
181	392305		Cap, Tank (Metal) A
183	291490		Strap, Tank Assy (6 Quart)
184	91257		Screw, Machine Fill (1/4-20 X 1-1/2")
185	90970		Nut, Square (1/4-20)
186	230318		Connector, Fuel
187	296004		Line-Fuel (23" Cut To Length)
187	393815		Hose-Vacuum (11" Cut To Required Length)
189A	810091		Lockwasher-Backplate
189	810093		Lockwasher
198	293934		Valve, Shutoff Assy
199	297563		Outlet, Tank Assy
240A	494581		Filter-Fuel
240	394358		Filter, Fuel (Used With Fuel Pump)
244	230318		Connector, Fuel
304	224238		Housing-Blower (Red) (Electric Start Only)
304	224239		Housing-Blower (Black) (Electric Start Only)
304	491924		Housing-Blower (Red) (Rewind Start)
304	492244		Housing-Blower (Black) (Rewind Start-Except As Noted Below)
305	810037		Screw-Tank Bracket
306	223944		Shield-Cylinder
346A	810039		Screw-Muffler Bracket
367	810036		Screw-Hex. Head
387	491922		Pump-Impulse
573	491926		Plate-Back
601	93053		Clamp, Hose (Green)
601	93807		Clamp, Hose (Black)
725	223943		Shield-Heat
729B	224356		Clip-Debris
788	224148		Bracket-Fuel Pump
890	492017		Bracket-Support
917	223271		Valve Handle-Fuel Shut-Off
958	494768		Vlv-Shut Off Plas (Upper)

### Footnotes:

Included in Carburetor Kit-Part No. 492282



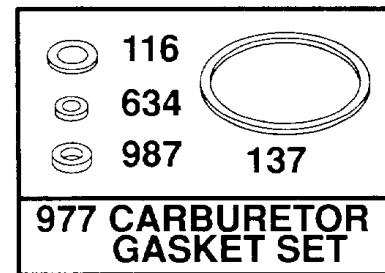
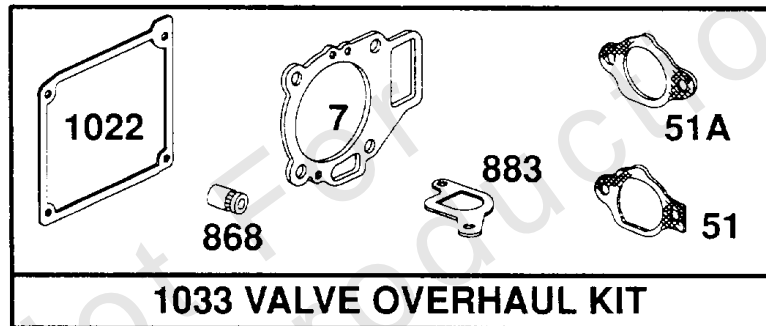
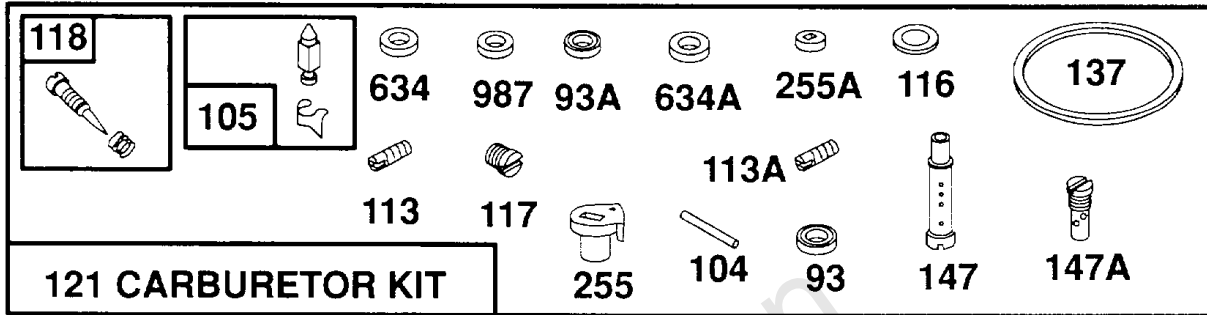
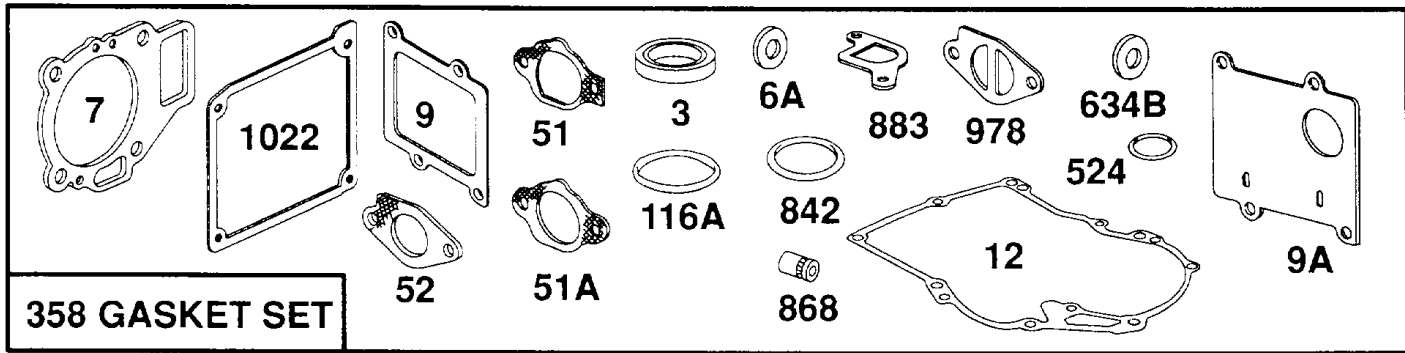


## Gasket Sets

REF NO	PART NO	QTY	DESCRIPTION
3	491019		Seal-Oil -Included in Gasket Set-See Ref. No. 358
6A	492063		Washer-Cylinder Head -Included in Gasket Set-See Ref. No. 358
7	272126		Gasket-Cylinder Head -Included in Valve Overhaul Kit-Part No. 495769. Included in Gasket Set-See Ref. No. 358
9A	272120		Gasket-Valve Cover -Used Before Code Date 91120900
9	272553		Gasket-Breather -Used After Code Date 91120800
12	272124		Gasket-Crankcase (.015" Thick) -Included in Gasket Set-See Ref. No. 358
51A	272028		Gasket-Carburetor -Included in Valve Overhaul Kit-Part No. 495769. Included in Gasket Set-See Ref. No. 358
51	272121		Gasket-Intake -Included in Valve Overhaul Kit-Part No. 495769. Included in Gasket Set-See Ref. No. 358
52	272029		Gasket-Carburetor -Included in Gasket Set-See Ref. No. 358
93A	280931		Bushing-Throttle Shaft (Lower) -Included in Carburetor Kit-Part No. 492282
93	280926		Bushing-Throttle Shaft (Upper) -Included in Carburetor Kit-Part No. 492282
104	231652		Pin-Float Hinge -Included in Carburetor Kit-Part No. 492282
105	492188		Valve-Needle -Included in Carburetor Kit-Part No. 492282
113A	231696		Nozzle-Carburetor -Included in Carburetor Kit-Part No. 492282
113	231697		Nozzle-Carburetor -Included in Carburetor Kit-Part No. 492282
116A	280801		O-Ring (Oil Pump Cover) -Included in Gasket Set-See Ref. No. 358
116			No Nomenclature -Included in Carburetor Kit-Part No. 492282. Included in Carburetor Gasket Set-Part No. 492281
117			No Nomenclature -Included in Carburetor Kit-Part No. 492282
117	231669		Jet-Main (High Altitude)
118	492277		Valve-Idle Adjust -Included in Carburetor Kit-Part No. 492282
121	492282		Carburetor Kit
137			No Nomenclature -Included in Carburetor Kit-Part No. 492282. Included in Carburetor Gasket Set-Part No. 492281
147A	231659		Nozzle -Included in Carburetor Kit-Part No. 492282
147	231657		Nozzle -Used Before Code Date 89051800
147	231719		Nozzle -Used After Code Date 89051700
255A	280910		Retainer-Choke Shaft (Lower) -Included in Carburetor Kit-Part No. 492282

### Footnotes:

Included in Carburetor Kit-Part No. 492282  
Included in Gasket Set-See Ref. No. 358

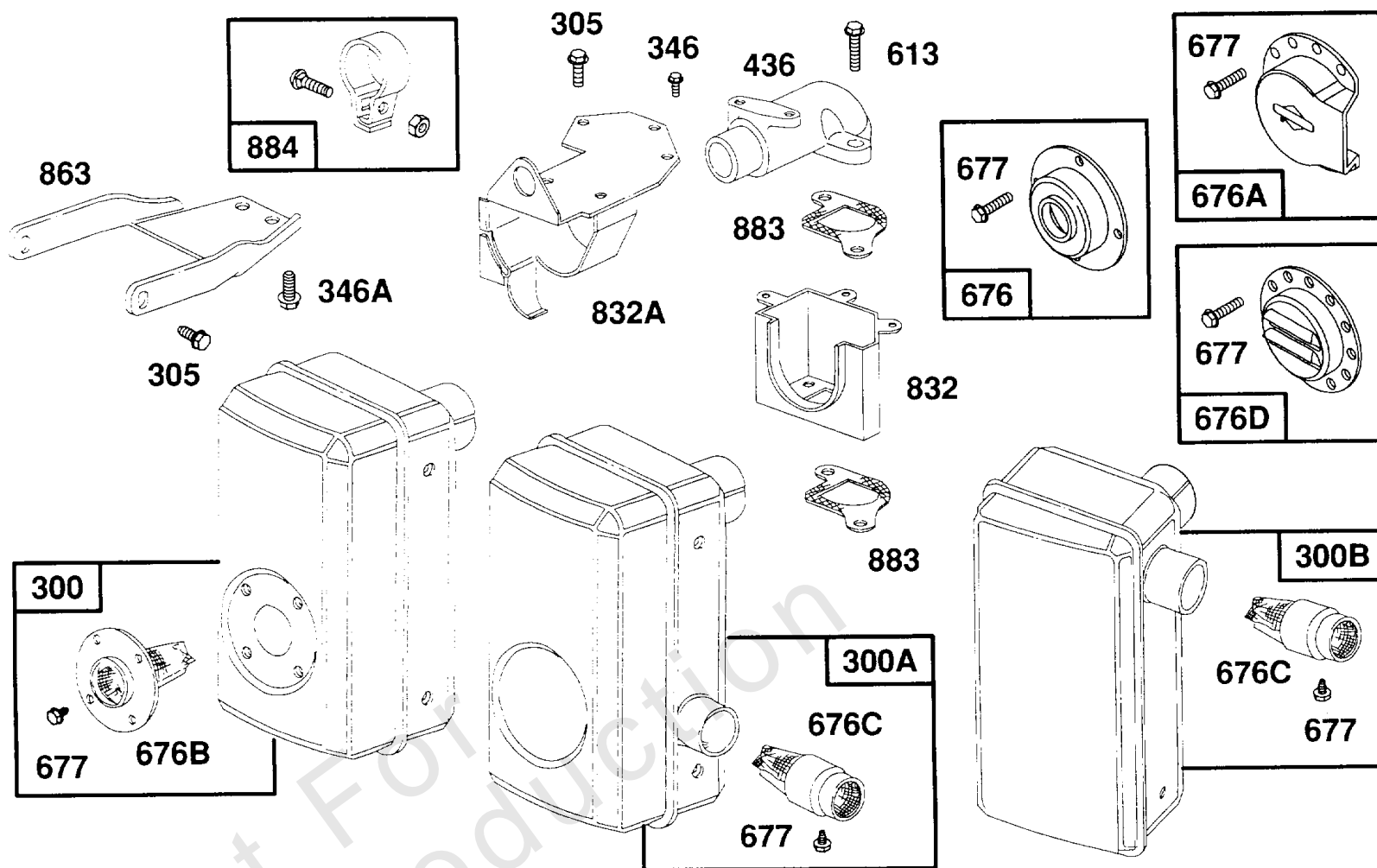


## Gasket Sets

REF NO	PART NO	QTY	DESCRIPTION
255	280916		Retainer-Choke Shaft (Upper) -Included in Carburetor Kit-Part No. 492282
358	492271		Gasket Set -Used Before Code Date 91120900
358	495260		Gasket Set -Used After Code Date 91120800
524	280860		Seal-Oil -Included in Gasket Set-See Ref. No. 358
634A			No Nomenclature -Included in Carburetor Kit-Part No. 492282. Included in Carburetor Gasket Set-Part No. 492281
634			No Nomenclature -Included in Carburetor Kit-Part No. 492282. Included in Carburetor Gasket Set-Part No. 492281
634B	491880		Seal-Governor Shaft -Included in Gasket Set-See Ref. No. 358
842	270920		Seal, Oil Fill Tube -Included in Gasket Set-See Ref. No. 358
868	491020		Seal-Valve Stem -Included in Valve Overhaul Kit-Part No. 495769. Included in Gasket Set-See Ref. No. 358
883	272123		Gasket-Exhaust -Included in Valve Overhaul Kit-Part No. 495769. Included in Gasket Set-See Ref. No. 358
977	492281		Gasket Set-Carburetor
978	272122		Gasket-Oil Filter Adapter -Included in Gasket Set-See Ref. No. 358
987	492172		Seal-Throttle Shaft -Included in Carburetor Kit-Part No. 492282. Included in Carburetor Gasket Set-Part No. 492281
1022	272010		Gasket-Rocker Cover -Included in Valve Overhaul Kit-Part No. 495769. Included in Gasket Set-See Ref. No. 358
1033	495769		Overhaul Kit-Valve

### Footnotes:

Included in Carburetor Kit-Part No. 492282  
Included in Gasket Set-See Ref. No. 358

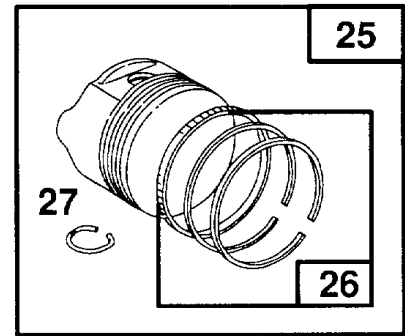
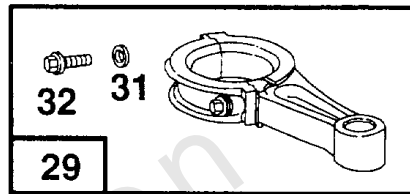
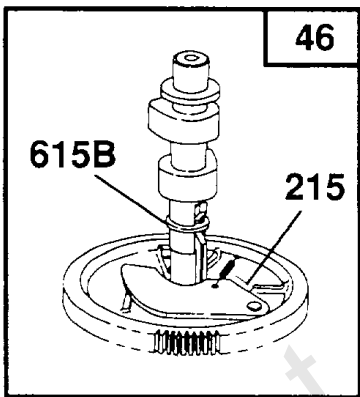
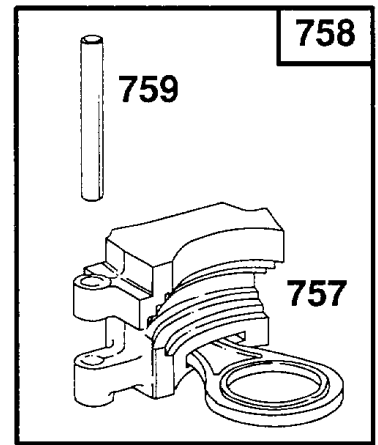
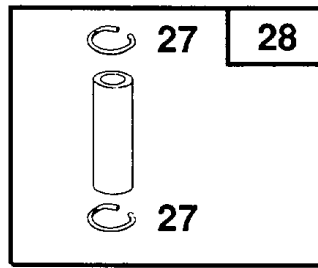
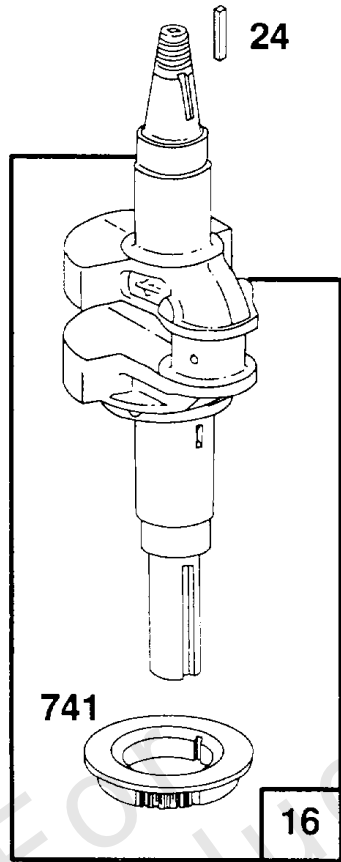
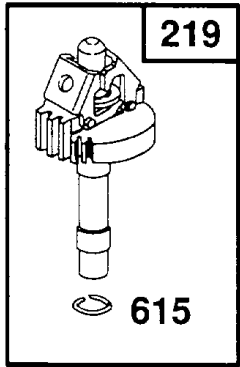


Not For  
Reproduction

## Mufflers, Deflectors

REF NO	PART NO	QTY	DESCRIPTION
300B	491796		Muffler-Exhaust
300A	491692		Muffler-Exhaust
300	493626		Muffler-Exhaust
305	810037		Screw-Tank Bracket
346A	810039		Screw-Muffler Bracket
346	810079		Screw-Hex. Hd.
436	213363		Elbow-Exhaust
613	810041		Screw-Sem
676B	492577		Deflector-Muffler
676C	492578		Deflector-Muffler
676D	397630		Deflector-Muff (Louvered Outlet)
676A	393761		Deflector-Muff (Side Outlet)
676	396903		Deflector-Muff (Direct Outlet)
677	93705		Screw, Tapping Hex (8-32 X 3/8)
832A	491980		Cover-Exhaust Elbow
832	224068		Guard-Exhaust Elbow
863	223946		Bracket-Muffler
883	272123		Gasket-Exhaust -Included in Valve Overhaul Kit-Part No. 495769. Included in Gasket Set-See Ref. No. 358
884	491655		Clamp-Muffler

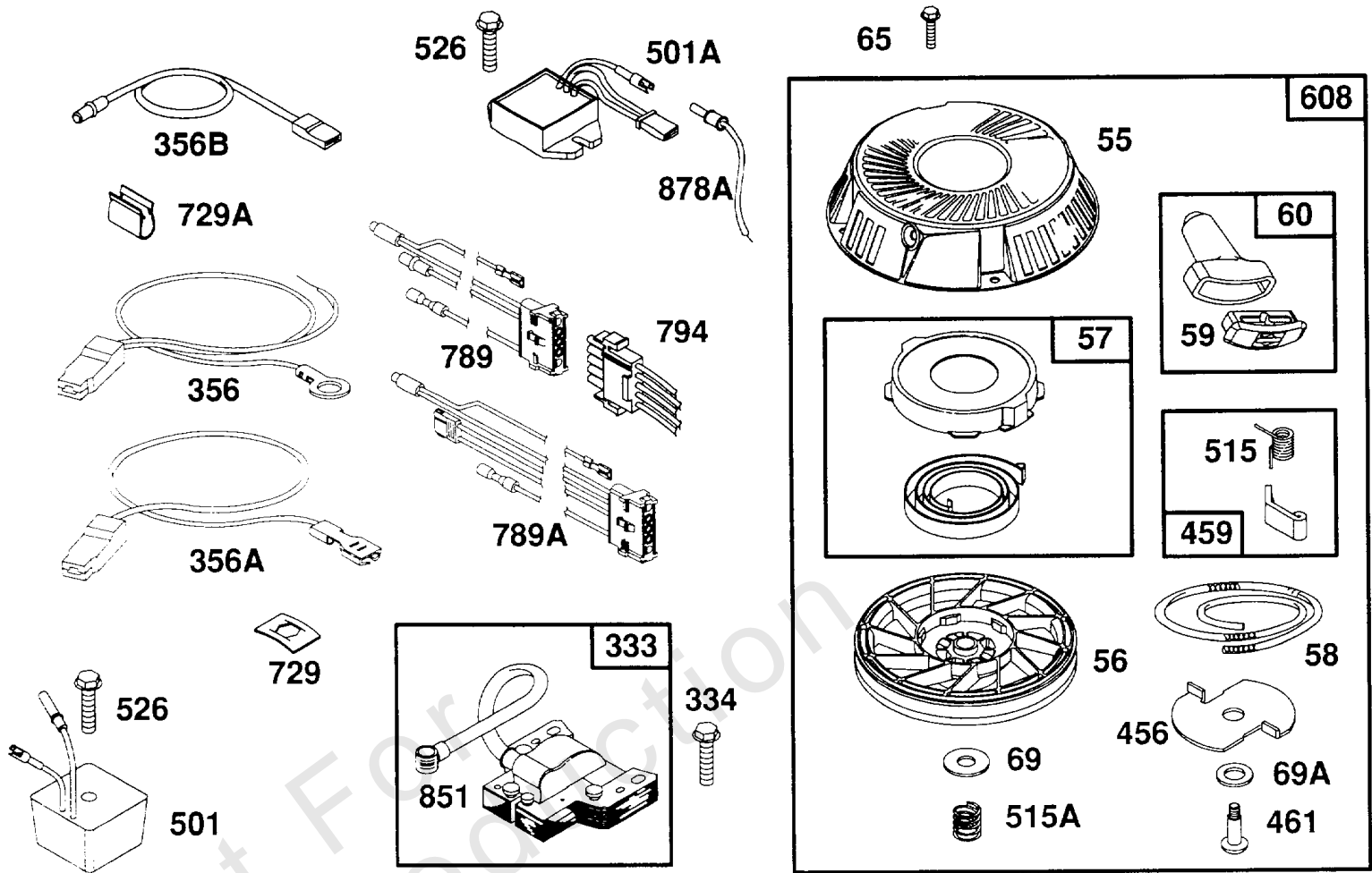
Not For  
Reproduction



Not For Reproduction

## Piston Group

REF NO	PART NO	QTY	DESCRIPTION
16	493921		Crankshaft -For Timing Gear Key-Order Part No. 94196
24	222698		Key, Flywheel
25	492110		Piston Assy. (Standard)
25	492933		Piston Assy. (.010" O.S.)
25	492934		Piston Assy. (.020" O.S.)
25	492935		Piston Assy. (.030" O.S.)
26	492111		Ring Set (Standard)
26	492936		Ring Set (.010" Oversize)
26	492937		Ring Set (.020" Oversize)
26	492938		Ring Set (.030" Oversize)
27	262457		Lock-Piston Pin
28	492112		Pin-Piston
29	492113		Rod-Connecting
29	493048		Rod-Conn. (.020" Undersize)
31	94465		Washer-Conn. Rod
32	94327		Screw-Connecting Rod
46	494925		Gear-Cam -Used After Code Date 91120800
46	495257		Gear-Cam -Used Before Code Date 91120900
215	262506		Spring-Release -Used Before Code Date 91120900
215	262848		Spring-Release -Used After Code Date 91120800
219	492195		Gear-Governor
615B	94697		Ring-Retaining (Compression Release) -Used After Code Date 91120800
615B	94399		Ring-Retaining -Used Before Code Date 91031800
615B	94653		Retainer-Cam Shaft -Used After Code Date 91031700 and Before Code Date 91120900
615	94400		Ring-Retaining
741	262370		Gear-Timing
757	493912		Link-Counterweight -Includes Link Pin & Retaining Ring.
758	492187		Counterweight Assy.
759	231608		Pin-Counterweight

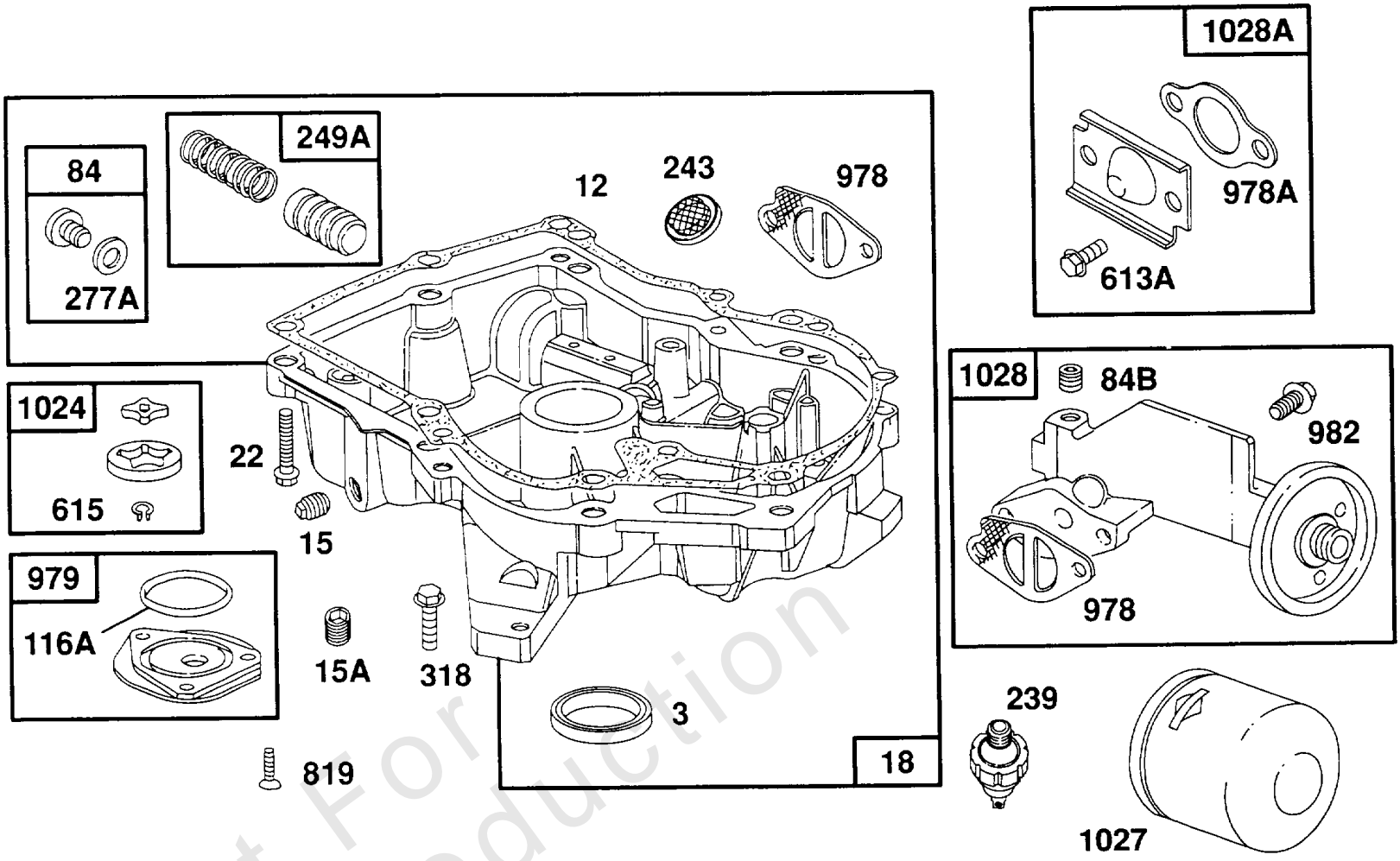


Not For  
Reproduction



## Rewind, Wires, Electrical

REF NO	PART NO	QTY	DESCRIPTION
55	492193		Housing-Rewind Starter
56	281235		Pulley-Starter -Used After Code Date 91120800
56	494956		Pulley-Starter -Used Before Code Date 91120900
57	492194		Spring-Rewind Starter
58	66894		Rope-Starter (99" Cut To Required Length)
59	490653		Insert-Starter Rope
60	490652		HANDLE, Starter Rope
65	810074		Screw-Hex. Hd.
69A	94462		Washer-Retainer
69	94464		Washer-Pulley
333	492341		Armature-Magneto
334	810035		Screw-Sem
356B	494705		Wire-Stop
356A	491927		Wire-Stop
356	398808		Wire-Stop (30" Cut To Required Length)
456	224228		Retainer-Spring
459	492431		Spring-Pawl
461	94463		Screw-Shoulder
501A	394890		Regulator -(10, 13, or 16 Amp, Depending on Size of Flywheel Magnets)
501	491546		Regulator Assy (9 Amp.)
515A	262564		Spring-Torsion
515	262565		Spring-Dog
526	810084		Screw-Regulator
608	494573		Starter-Rewind -Used Before Code Date 91120900
608	494926		Starter-Rewind (Eaton) -Used After Code Date 91120800
729A	262616		Clip-Wire
729	262617		Clip-Wire
789A	492049		Harness-Wiring
789	491780		Harness-Wiring
794	491884		Harness-Wiring
851	221798		Terminal-Spark Plug
878A	393422		Socket/Wire Assy (Dc Only)



Not For  
Reproduction

## Sump Base Assembly, Oil Pump

REF NO	PART NO	QTY	DESCRIPTION
3	491019		Seal-Oil -Included in Gasket Set-See Ref. No. 358
12	272124		Gasket-Crankcase (.015" Thick) -Included in Gasket Set-See Ref. No. 358
15A	93418		Plug, Pipe (Flush)
15	94239		Plug, Pipe (Standar (Square Head)
18	492203		Base-Engine
22	810081		Screw-Sem
84B	94497		Plug, Oil -(1/8"-27 NPTF Hex. Socket) (Impulse Pump Hole)
84	492199		Plug-Pipe
116A	280801		O-Ring (Oil Pump Cover) -Included in Gasket Set-See Ref. No. 358
239	493989		Switch-Oil Pressure
243	491722		Screen-Oil Pump
249A	492198		Valve-Pressure Relief
277A	94398		Washer-Relief Plug
318	94563		Screw-Engine Mtg.
613A	810099		Screw-Cover Mtg.
615	94400		Ring-Retaining
819	94337		Screw-Pump Cover
978A	272025		Gasket-Adapter
978	272122		Gasket-Oil Filter Adapter -Included in Gasket Set-See Ref. No. 358
979	492197		Cover-Pump
982	810100		Screw-Oil Filter Adapter
1024	492196		Pump-Oil
1027	491056		Filter-Oil (3-1/4" Long)
1028A	493621		By-Pass Filter
1028	492251		Adapter-Oil Filter

